

ATEX CERTIFIED

LED PILOT LIGHTS

HIGH-VISIBILITY



The Benefits of ADALET LED Pilot Lights *ATEX Component Certified!*

Superior Safety Lamps located inside enclosure (not under lens cap) for worry-free operation.

240 Volt Power Option Use in applications where 240 Volts are required with optional resistor type base.

Configurable Your choice of color, short or long lengths, guarded or unguarded caps, and 120 or 240 Volt lamps.

Low Maintenance 10 year/100,000 service life under normal ambient conditions.

Efficient 4x more efficient than standard incandescent bulbs.

Improved Visibility Utilizes ultra-bright cluster LED's.

ADALET
A SCOTT FETZER COMPANY

ATEX CERTIFIED

**EXPLOSIONPROOF & DUST-TIGHT
PILOT LIGHTS**

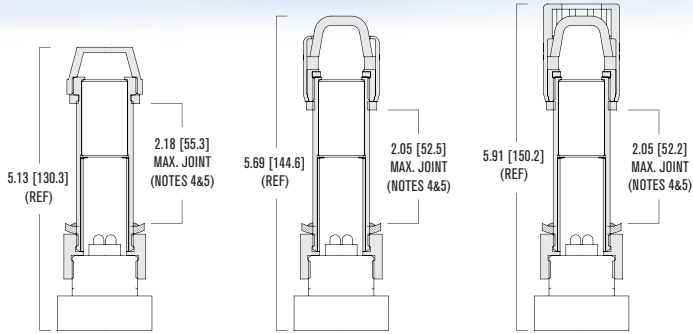
LED PILOT LIGHTS

Energy Efficient, Superior Illumination!



Part Number

XLX S R 120 - C



XLX

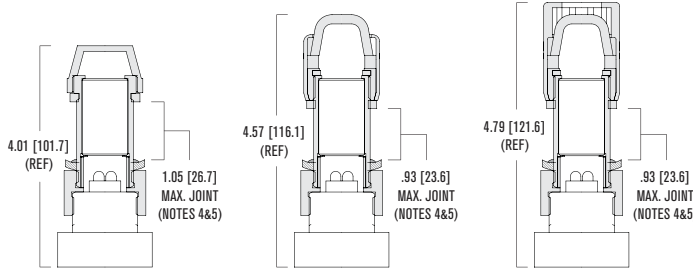
LONG BODY
STANDARD CAP

XLX - C

LONG BODY
CLASSIC UNGUARDED CAP

XLX - G

LONG BODY
CLASSIC GUARDED CAP



XLXS

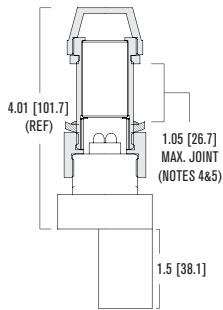
SHORT BODY
STANDARD CAP

XLXS - C

SHORT BODY
CLASSIC UNGUARDED CAP

XLXS - G

SHORT BODY
CLASSIC GUARDED CAP



XLXS - 240

SHORT BODY
STANDARD CAP
w/OPTIONAL 240V BASE

BASE CATALOG NUMBER

BODY LENGTH⁴

- NONE = Long
- S = Short

COLOR OF LENS & LAMP³

- R = Red
- A = Amber (Yellow)
- G = Green
- B = Blue
- W = White

VOLTAGE²

- 120, 240 (optional voltages available within range 5-120, consult factory.)

CAP¹

- NONE = Standard Plastic Lens Cap
- C = Classic Cap (Unguarded)
- G = Guarded Classic Cap

¹ Lens caps are not part of flamepath.

² 240 Volt lamp requires optional resistor type base (P/N 3126-1). Maximum lamp Voltage is 120.

³ Color of lamp and lens are normally the same. White lamp uses clear lens cap.

⁴ Minimum length of threaded joint = seven threads (Group B), = five threads (Group C).

⁵ Maximum installation thickness shown for classic guarded and classic unguarded cap models may be increased .15" by discarding knurled lock ring. Minimum length of threaded joint must be satisfied.

Certifications

ATEX Directive 94/9/EC
EN 50014 / EN 50018
UL 60079-0 / UL 60079-1
IEC 60079-0 / IEC 60079-1
UL 698 / UL 1203 / CSA C22.2, No.30
UL 50
IEC 60529
NEMA

0539 Ⓜ II 2 GD

DEMKO Certificate: 05 ATEX 0530154U

EEx d IIB+H2 T6 Tamb -20 C to +55 C

Class I, Zone 1, AEx d IIB+H2 T6 Tamb -20 C to +55 C

Ex d IIB+H2 T6 Tamb -20 C to +55 C

Class I, Groups B, C & D; Class II, Groups E, F & G

Type 4X

IP66

Type 4, 4X, 7 & 9



CALL TODAY 216.267.9000

OR VISIT

ADALET.COM

ADALET
A SCOTT FETZER COMPANY

ADALET • 4801 West 150th Street, Cleveland, Ohio 44135 TEL 216.267.9000

FAX 216.267.1681

info@adalet.com

NCAT61